

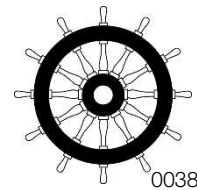
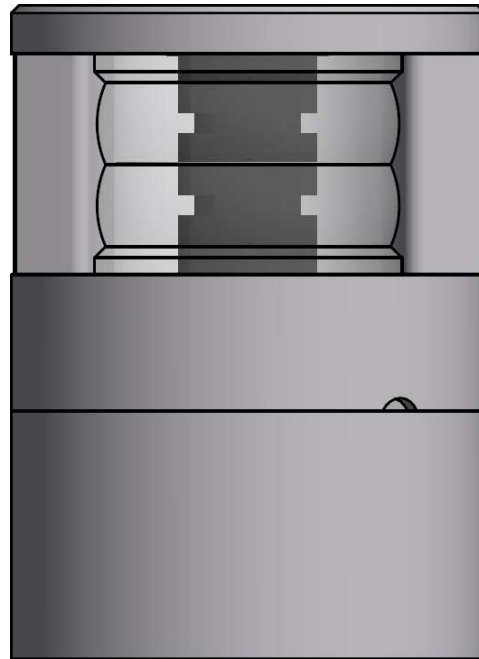
300-038 – 5NM 225° WHITE DOUBLE MASTHEAD LIGHT

The double LED light consists of two (2) individual lights which can be activated separately. One is dedicated as the primary, the other the secondary.

The precision machined 6082 aluminium housing with a hard coated anodized surface makes the light a rugged and durable housing for the LEDs and electronics contained within, and the polished PMMA lens delivers a clear light with colour ranging that is well within the standard for maritime use.

Lastly all the interior is completely filled with a special potting resin making it water- and vibration proof before each light is subjected to final testing for no less than 16 hours of continuous operation bringing the total test period beyond 24 hours.

Lopolight products are covered by a 5-year limited warranty. This warranty covers direct exchange of the malfunctioning product and is given under the assumption that the lights have been operated within the specifications of lights.



Technical specifications

Vessel size: 20m - 50m (65,6' - 164')

Visibility: >5 nautical miles

Intensity: >52 cd

Mounting: Horizontal, see the K-Lock system sheet for options

Operating voltage: 22 - 32 V DC

Number of LEDs: 6 per light, 12 in total

Light colour: White

Operating temperature: -25°C to +55°C

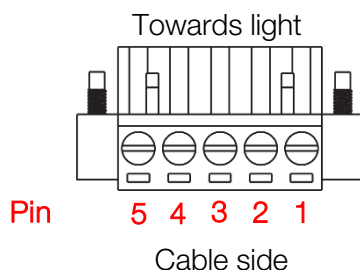
IP Rating: IP68

Power consumption; 7 Watt; Current @ 24 VDC: 0,3A

Connection: 2 M20x1.5 thread borings for cable glands located on the side and bottom (see drawings for details).

Cabling: 2 cables consisting of 2 x 0,5 mm² leads, a screen and insulation.

- Pin 1 - Red lead = Primary light power
- Pin 2 - Black lead = Primary light GND
- Pin 3 – No lead = Not used
- Pin 4 - Red = Secondary light power
- Pin 5 - Black = Secondary light GND



Certification: The product is certified by Lloyds (LR) and certificates can be found on www.lopolight.com under certificates.

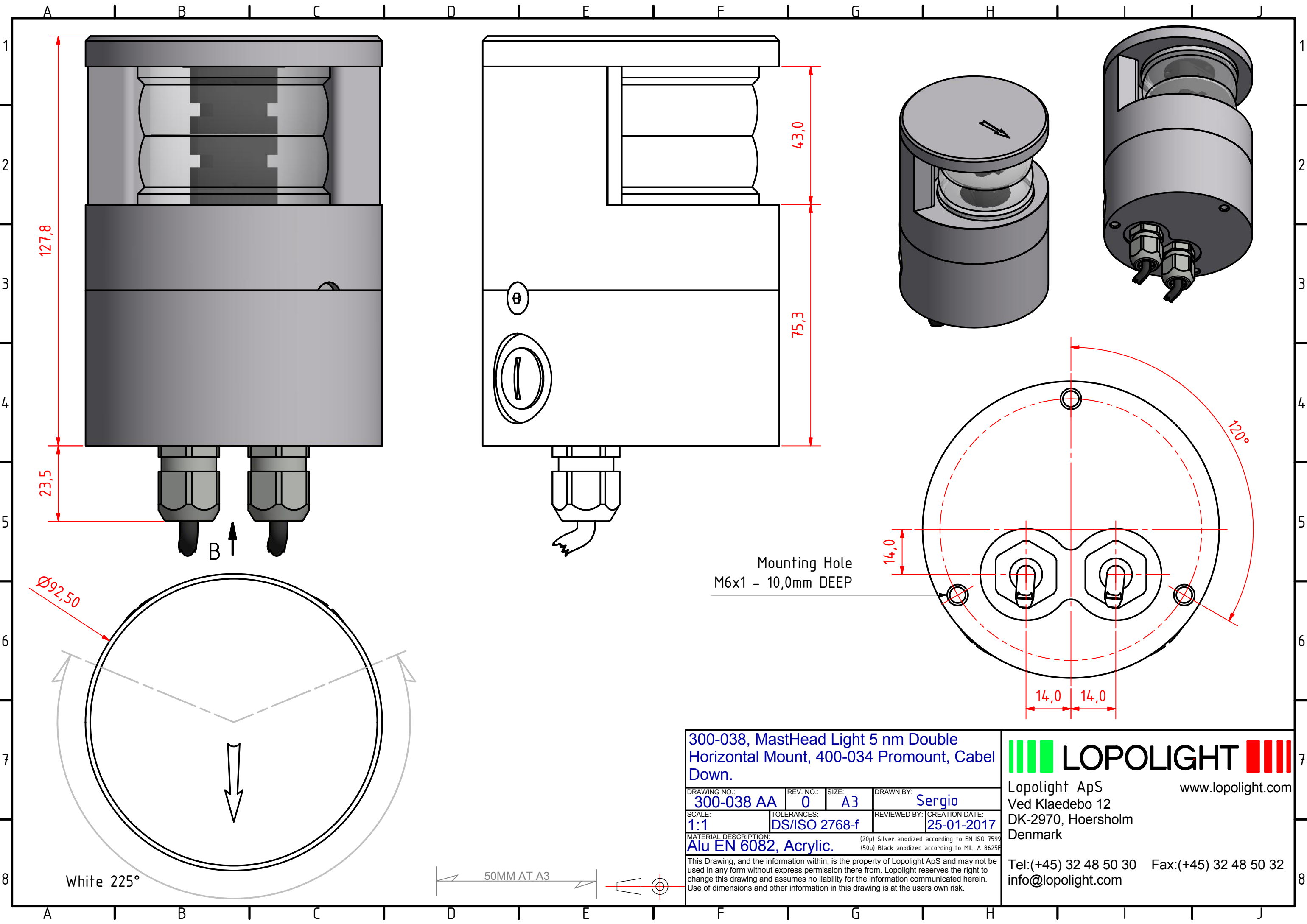
Approvals: COLREG72 / EN14744 / IEC 60945 / USCG / UL1104

Dimensions: See drawing

Weight: 1kg

Included in the standard package:

- 1 Double navigation light mounted on 400-034 aluminium base
- 1 HDPE base plate
- 3 M6x14 screw
- 2 M20x1.5 cable gland (cable diameters 7 – 13mm)
- 2 M20x1.5 blinding cap
- 1 Connector plug, 5 PIN
- Installation instructions



**300-038, MastHead Light 5 nm Double
Horizontal Mount, 400-034 Promount, Cabel
Down.**

DRAWING NO.: 300-038 AA	REV. NO.: 0	SIZE: A3	DRAWN BY: Sergio
SCALE: 1:1	TOLERANCES: DS/ISO 2768-f	REVIEWED BY:	CREATION DATE: 25-01-2017

MATERIAL DESCRIPTION:
Alu EN 6082, Acrylic. (20µ) Silver anodized according to EN ISO 7599
(50µ) Black anodized according to MIL-A 8625F

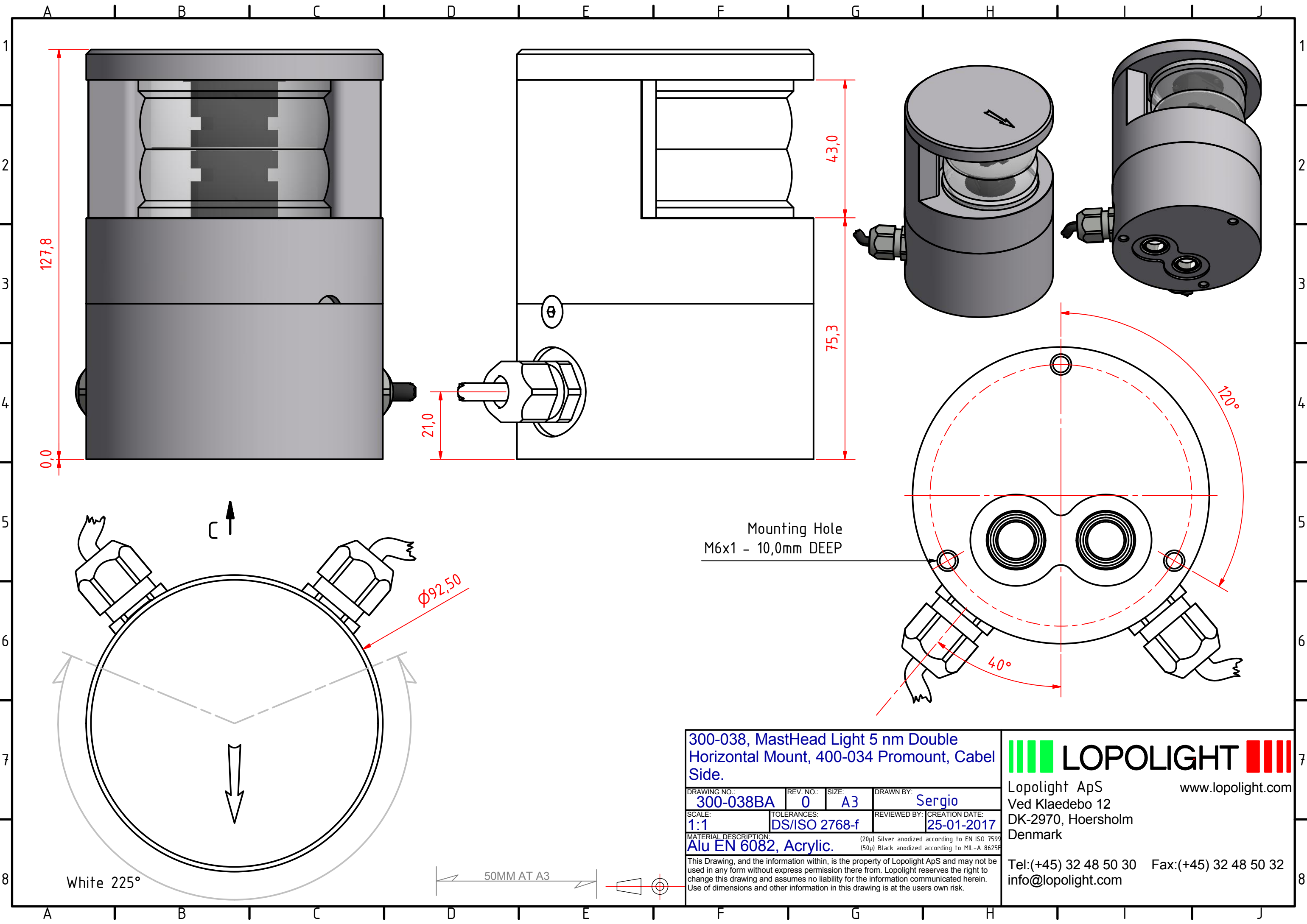
This Drawing, and the information within, is the property of Lopolight ApS and may not be used in any form without express permission there from. Lopolight reserves the right to change this drawing and assumes no liability for the information communicated herein. Use of dimensions and other information in this drawing is at the users own risk.



Lopolight ApS
Ved Klaedebo 12
DK-2970, Hoersholm
Denmark

Tel:(+45) 32 48 50 30 Fax:(+45) 32 48 50 32
info@lopolight.com www.lopolight.com

50MM AT A3



**300-038, MastHead Light 5 nm Double
Horizontal Mount, 400-034 Promount, Cabel
Side.**

DRAWING NO.: 300-038BA	REV. NO.: 0	SIZE: A3	DRAWN BY: Sergio
----------------------------------	-----------------------	--------------------	----------------------------

SCALE: 1:1	TOLERANCES: DS/ISO 2768-f	REVIEWED BY:	CREATION DATE: 25-01-2017
----------------------	-------------------------------------	--------------	-------------------------------------

MATERIAL DESCRIPTION:
Alu EN 6082, Acrylic. (20µ) Silver anodized according to EN ISO 7599
(50µ) Black anodized according to MIL-A 8625F

This Drawing, and the information within, is the property of Lopolight ApS and may not be used in any form without express permission there from. Lopolight reserves the right to change this drawing and assumes no liability for the information communicated herein. Use of dimensions and other information in this drawing is at the users own risk.

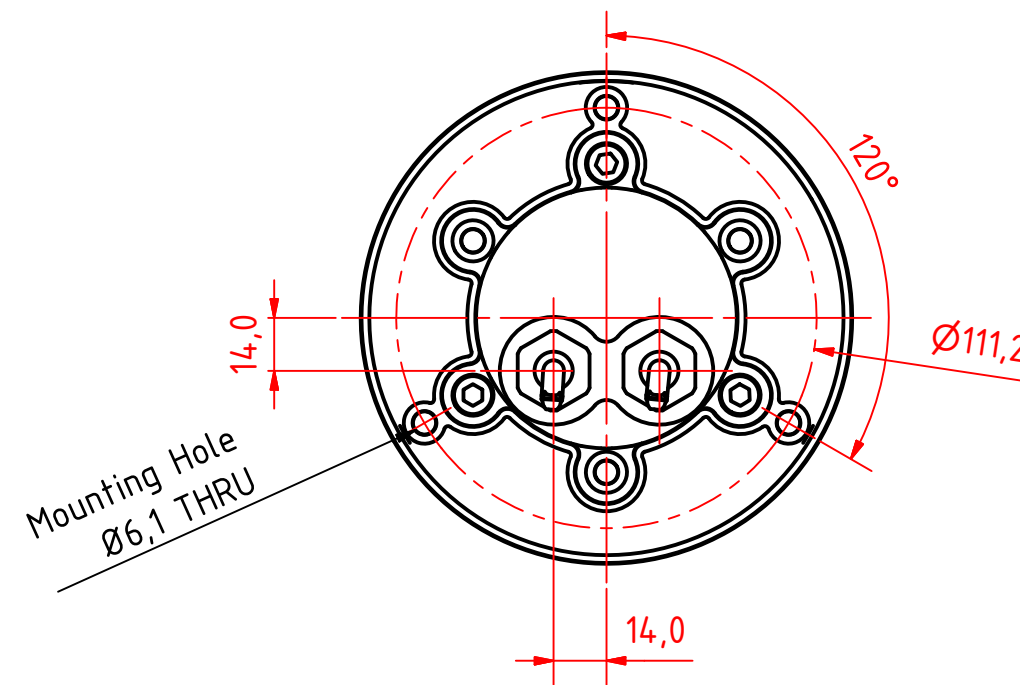
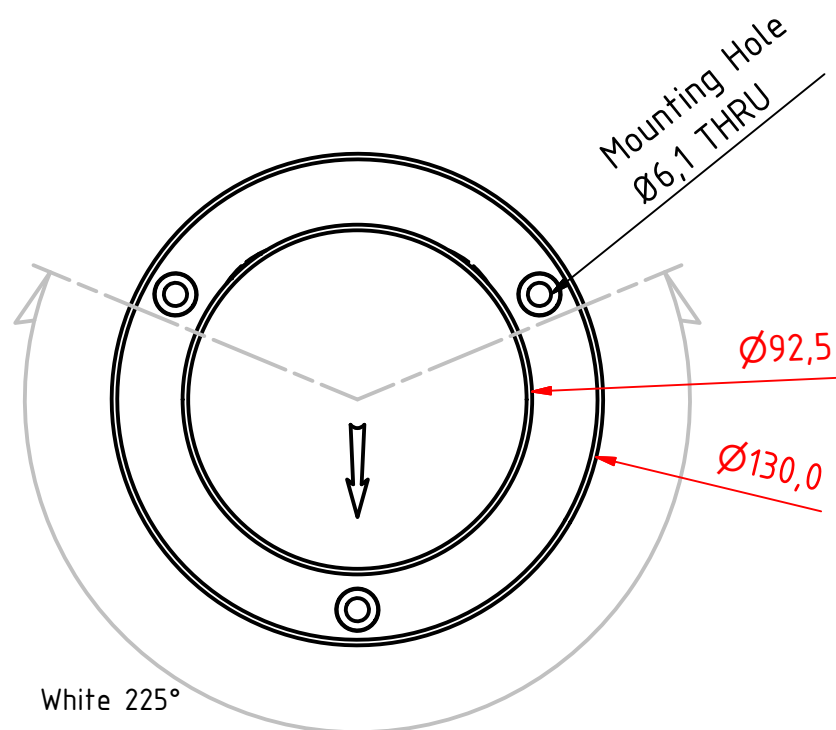
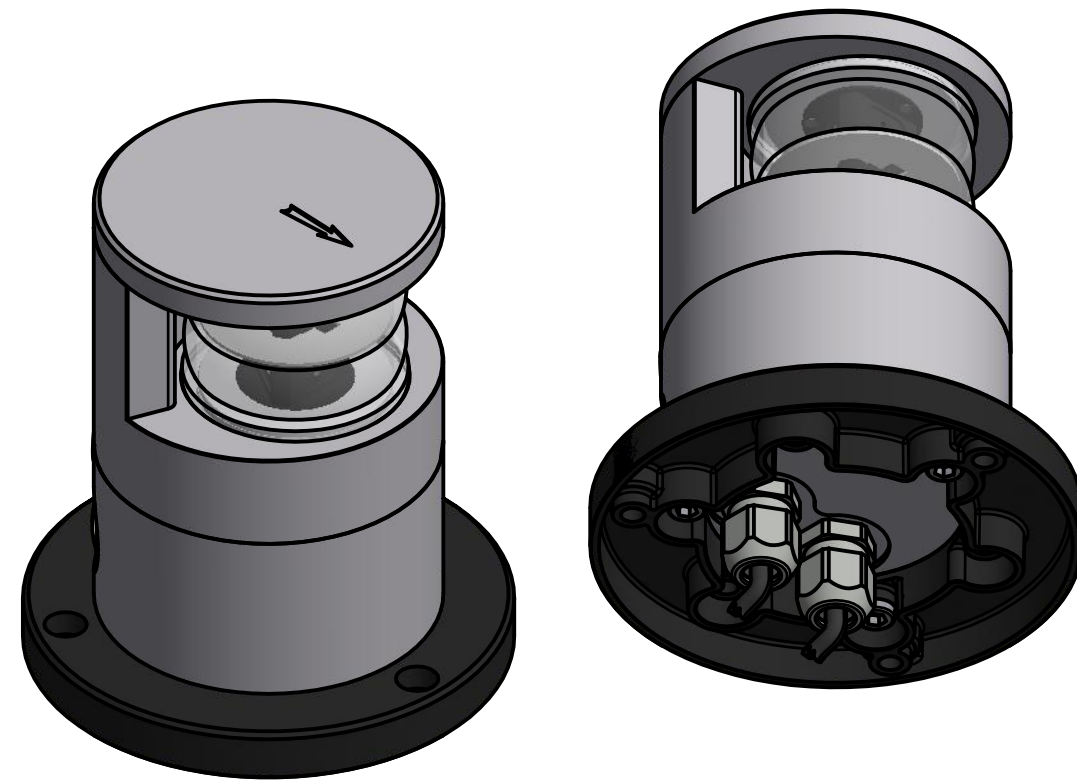
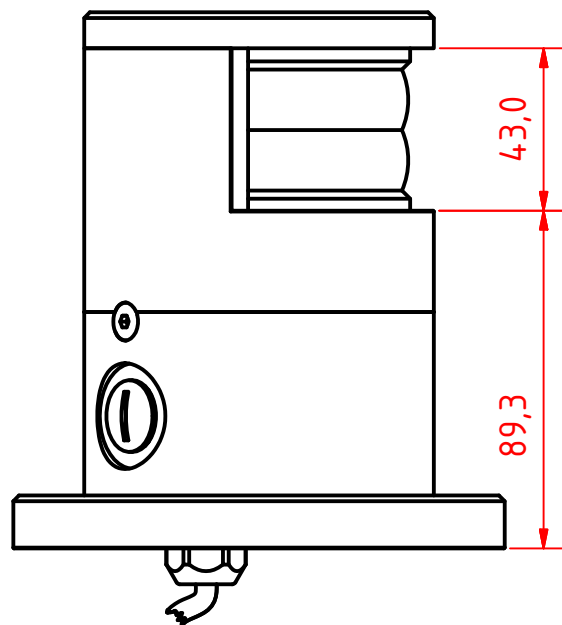
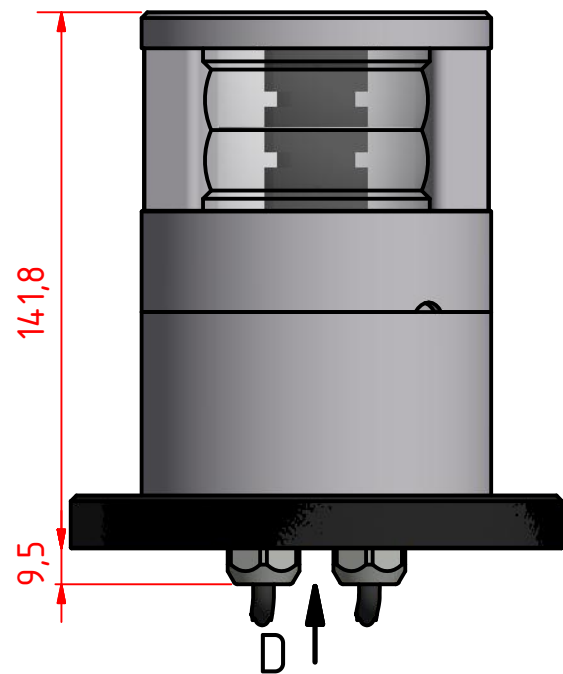


Lopolight ApS
Ved Klaedebo 12
DK-2970, Hoersholm
Denmark
www.lopolight.com

Tel:(+45) 32 48 50 30 Fax:(+45) 32 48 50 32
info@lopolight.com

White 225°

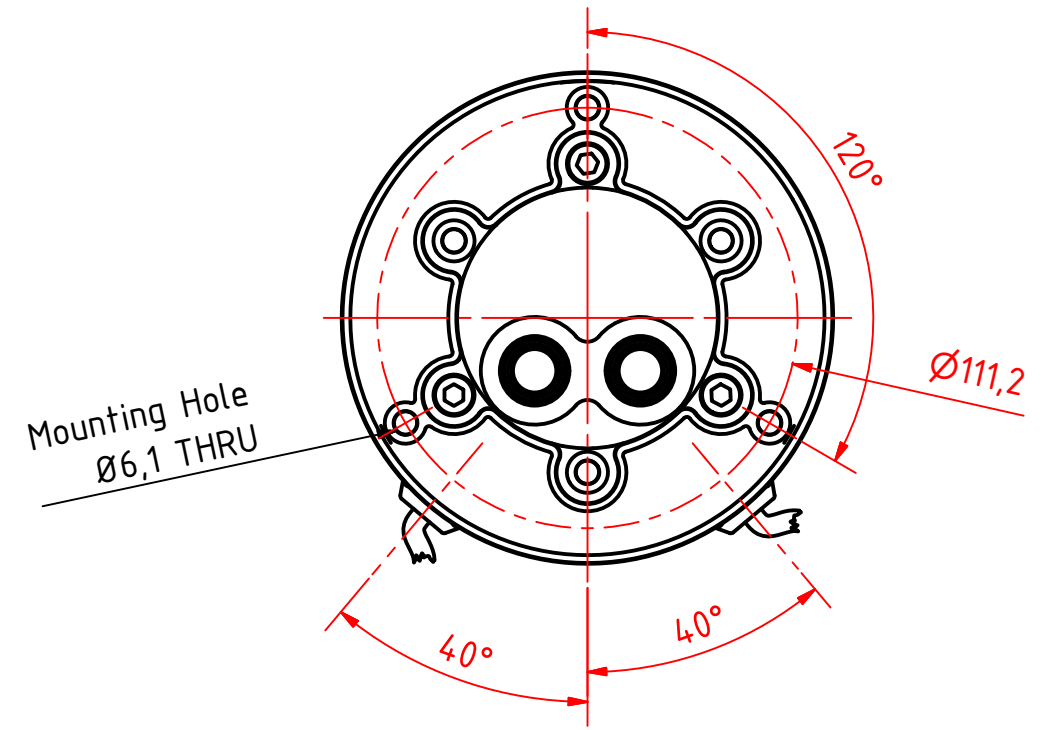
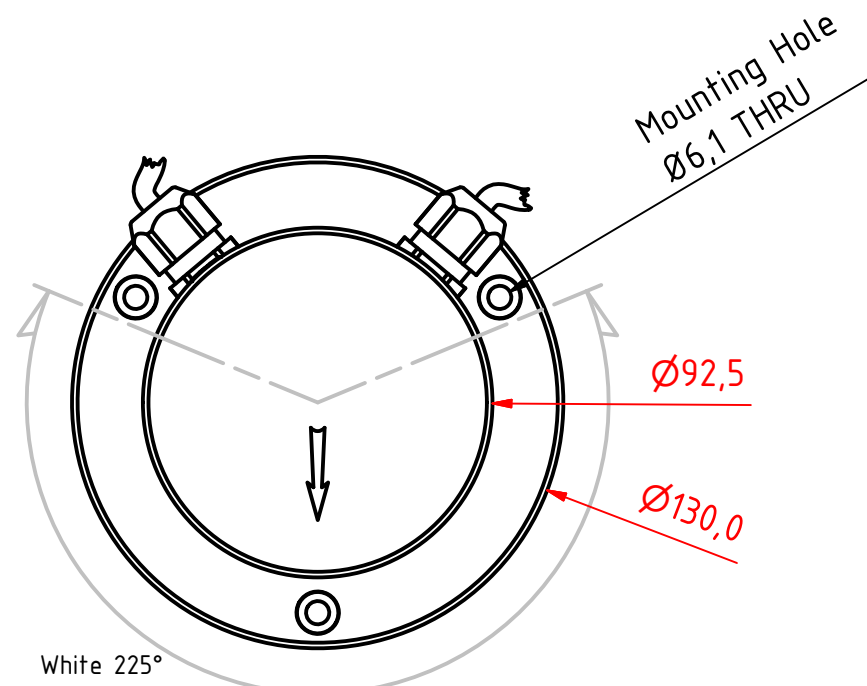
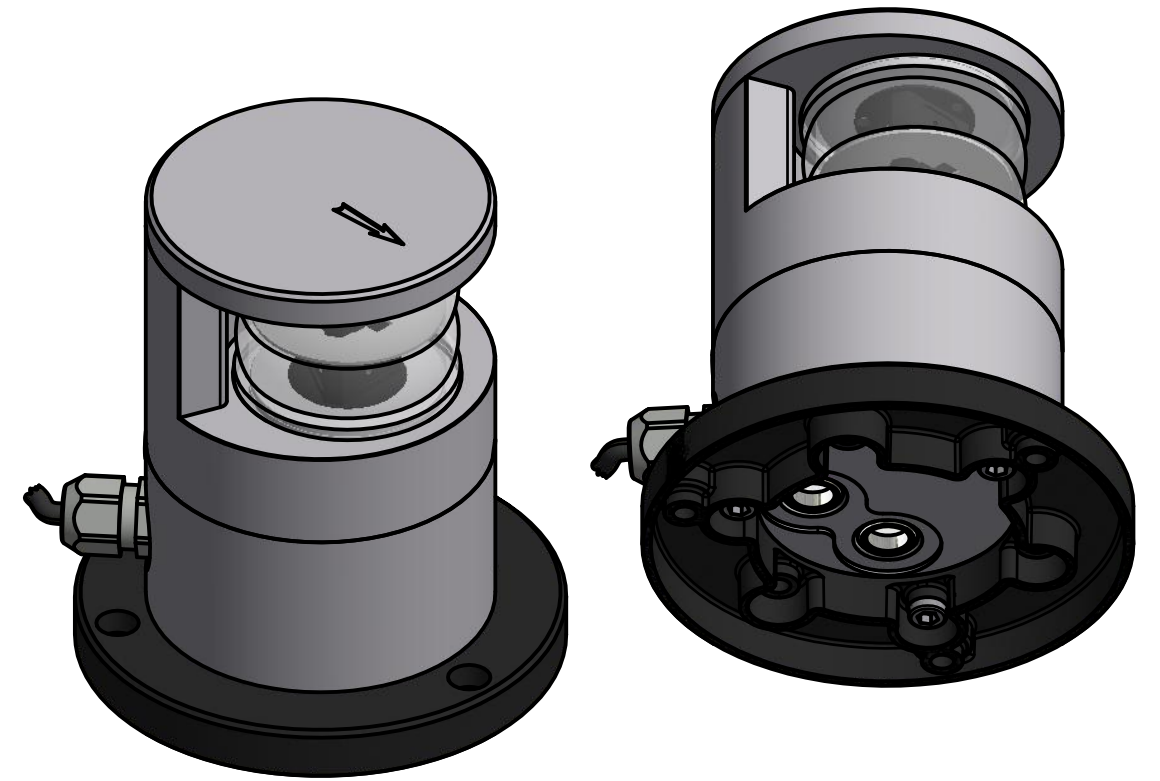
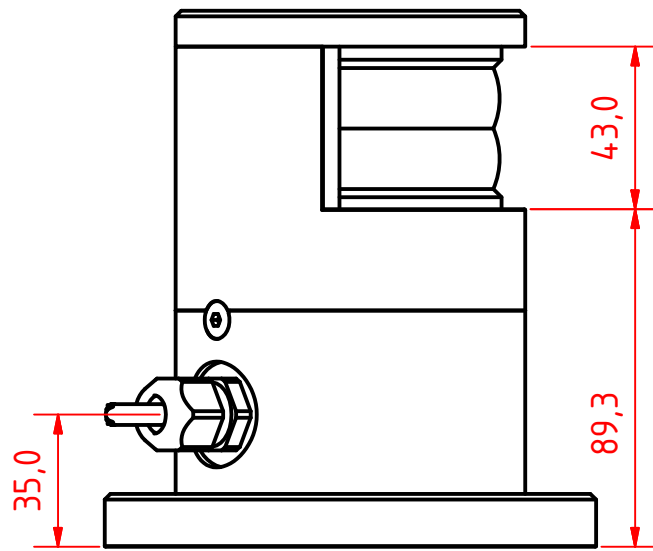
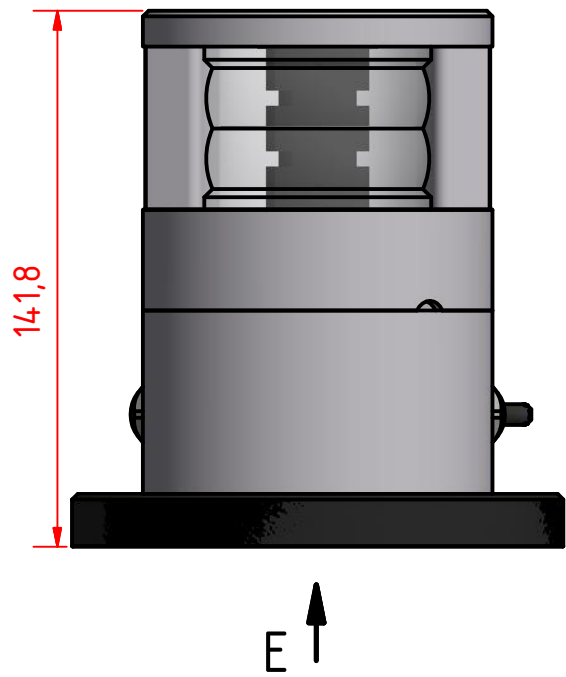
50MM AT A3



300-038, MastHead Light 5 nm Double Horizontal Mount, 400-034 Promount, 400-404 PE Base Plate, CD.			
DRAWING NO.: 300-038CA	REV. NO.: 0	SIZE: A3	DRAWN BY: Sergio
SCALE: 1:2	TOLERANCES: DS/ISO 2768-f	REVIEWED BY:	CREATION DATE: 25-01-2017
MATERIAL DESCRIPTION: Alu EN 6082, Acrylic, PE (20µ) Silver anodized according to EN ISO 7599 (50µ) Black anodized according to MIL-A 8625F			
This Drawing, and the information within, is the property of Lopolight ApS and may not be used in any form without express permission therefrom. Lopolight reserves the right to change this drawing and assumes no liability for the information communicated herein. Use of dimensions and other information in this drawing is at the users own risk.			

LOPOLIGHT
 Lopolight ApS
 Ved Klaedebo 12
 DK-2970, Hoersholm
 Denmark
 www.lopolight.com
 Tel:(+45) 32 48 50 30 Fax:(+45) 32 48 50 32
 info@lopolight.com





300-038, MastHead Light 5 nm Double Horizontal Mount, 400-034 Promount, 400-404 PE Base Plate, Cabel Side.

DRAWING NO.: 300-038DA	REV. NO.: 0	SIZE: A3	DRAWN BY: Sergio
SCALE: 1:2	TOLERANCES: DS/ISO 2768-f	REVIEWED BY:	CREATION DATE: 25-01-2017

MATERIAL DESCRIPTION:
Alu EN 6082, Acrylic, PE (20µ) Silver anodized according to EN ISO 7599 (50µ) Black anodized according to MIL-A 8625F

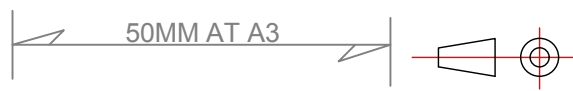
This Drawing, and the information within, is the property of Lopolight ApS and may not be used in any form without express permission there from. Lopolight reserves the right to change this drawing and assumes no liability for the information communicated herein. Use of dimensions and other information in this drawing is at the users own risk.

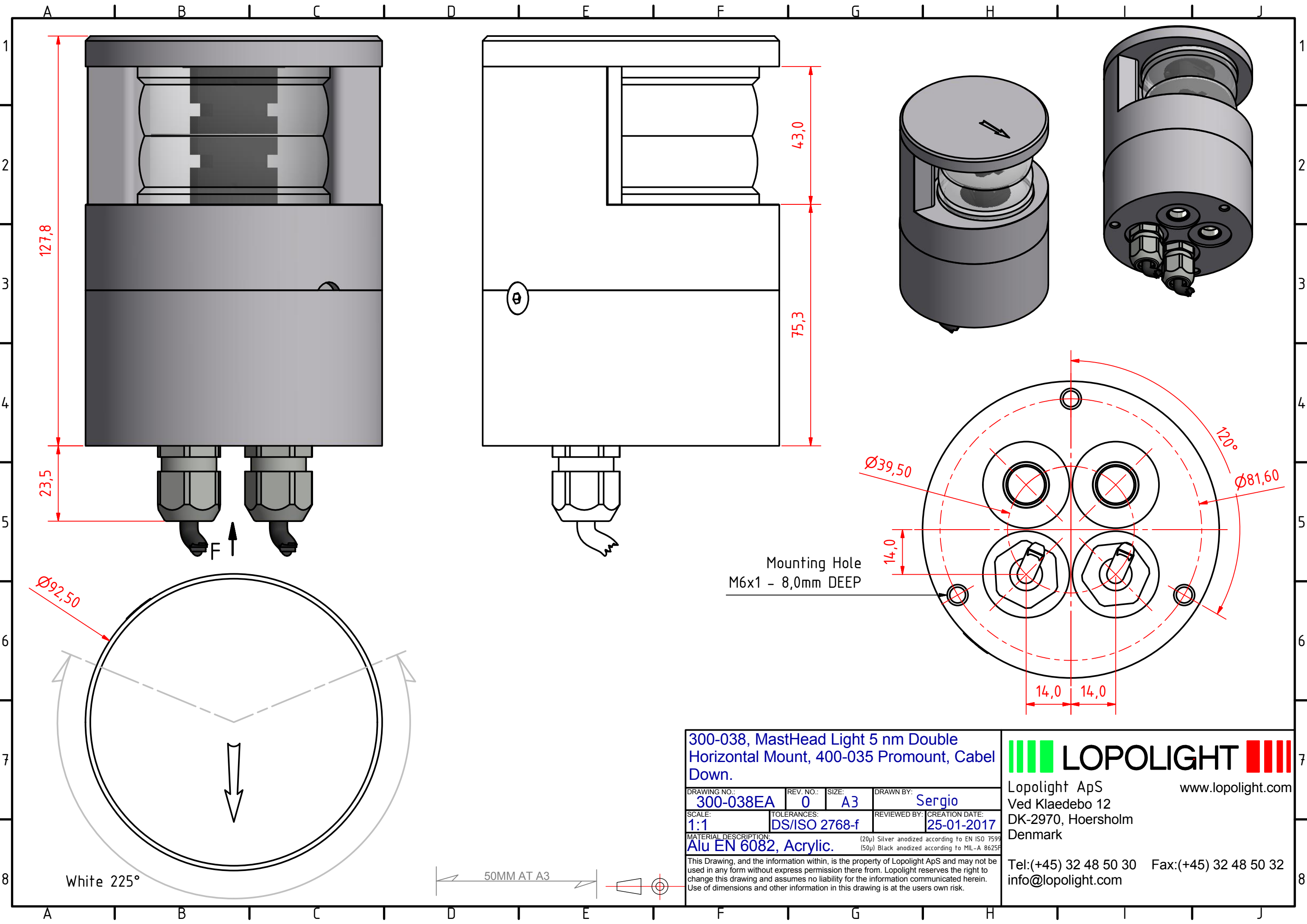
LOPOLIGHT

Lopolight ApS
Ved Klaedebo 12
DK-2970, Hoersholm
Denmark

www.lopolight.com

Tel:(+45) 32 48 50 30 Fax:(+45) 32 48 50 32
info@lopolight.com





300-038, MastHead Light 5 nm Double Horizontal Mount, 400-035 Promount, Cabel Down.

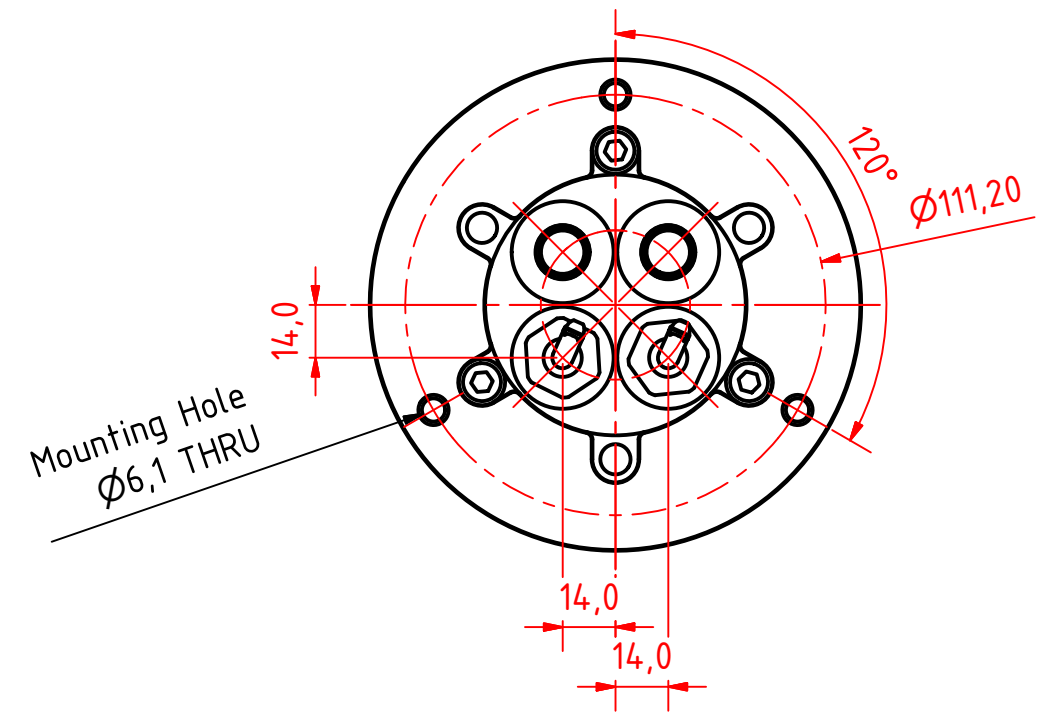
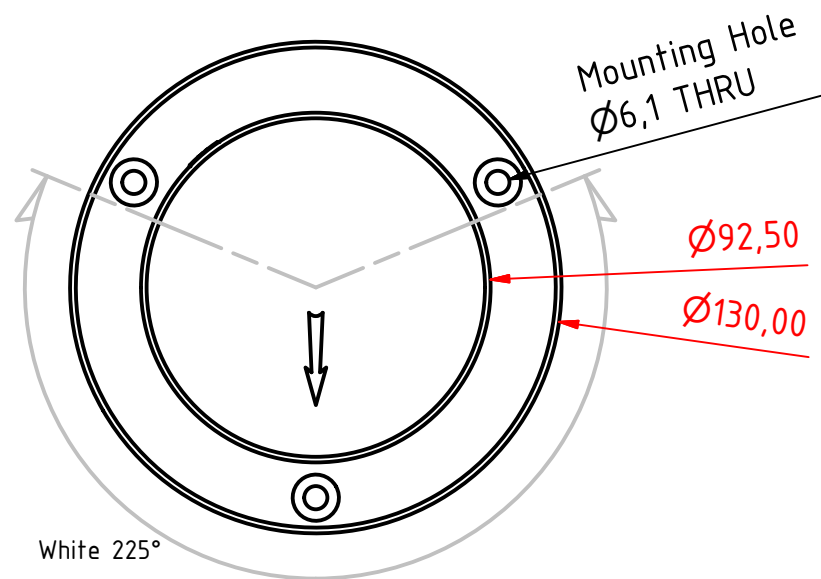
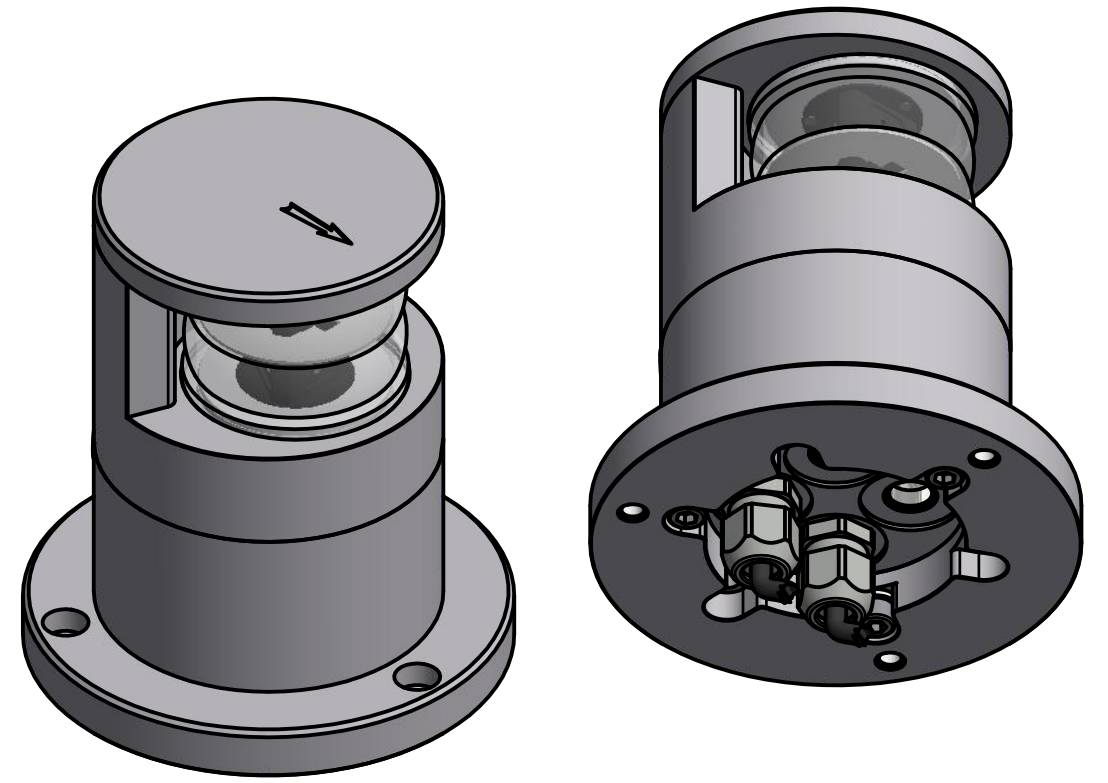
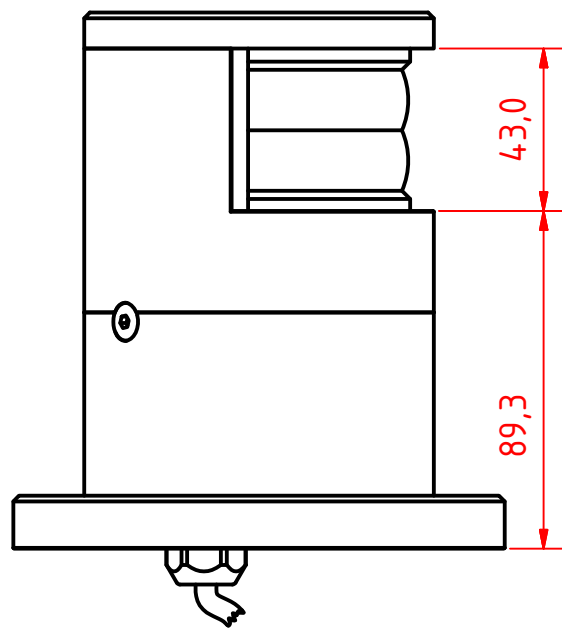
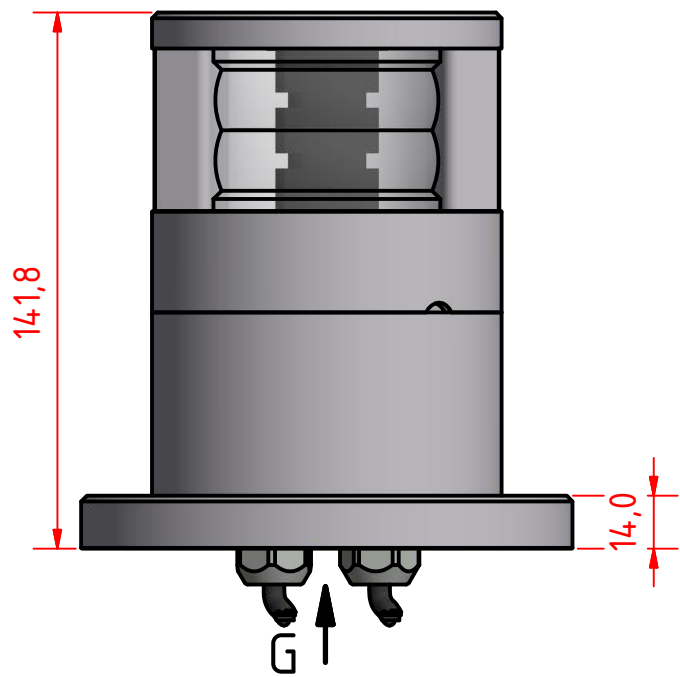
DRAWING NO.: 300-038EA	REV. NO.: 0	SIZE: A3	DRAWN BY: Sergio
SCALE: 1:1	TOLERANCES: DS/ISO 2768-f	REVIEWED BY:	CREATION DATE: 25-01-2017
MATERIAL DESCRIPTION: Alu EN 6082, Acrylic. (20µ) Silver anodized according to EN ISO 7599 (50µ) Black anodized according to MIL-A 8625F			
This Drawing, and the information within, is the property of Lopolight ApS and may not be used in any form without express permission there from. Lopolight reserves the right to change this drawing and assumes no liability for the information communicated herein. Use of dimensions and other information in this drawing is at the users own risk.			

LOPOLIGHT

Lopolight ApS
 Ved Klaedebo 12
 DK-2970, Hoersholm
 Denmark

www.lopolight.com

Tel:(+45) 32 48 50 30 Fax:(+45) 32 48 50 32
 info@lopolight.com



**300-038, MastHead Light 5 nm Double
Horizontal Mount, 400-035
Promount,400-401 Alu Base Plate, CD.**

DRAWING NO.: 300-038FA	REV. NO.: 0	SIZE: A3	DRAWN BY: Sergio
SCALE: 1:2	TOLERANCES: DS/ISO 2768-f	REVIEWED BY:	CREATION DATE: 25-01-2017

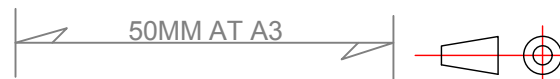
MATERIAL DESCRIPTION:
Alu EN 6082, Acrylic. (20µ) Silver anodized according to EN ISO 7599
(50µ) Black anodized according to MIL-A 8625F

This Drawing, and the information within, is the property of Lopolight ApS and may not be used in any form without express permission there from. Lopolight reserves the right to change this drawing and assumes no liability for the information communicated herein. Use of dimensions and other information in this drawing is at the users own risk.

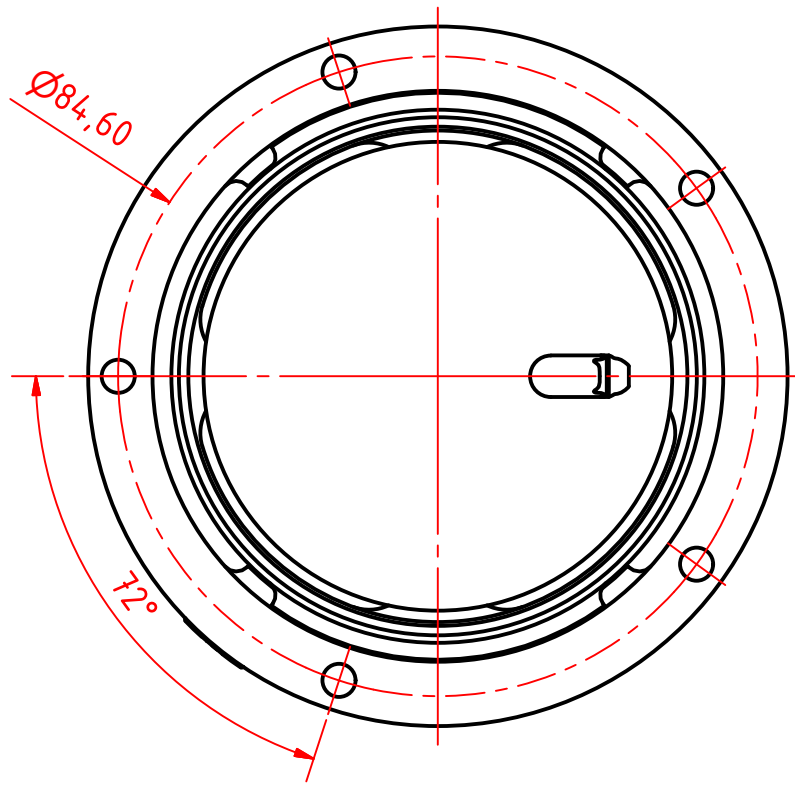
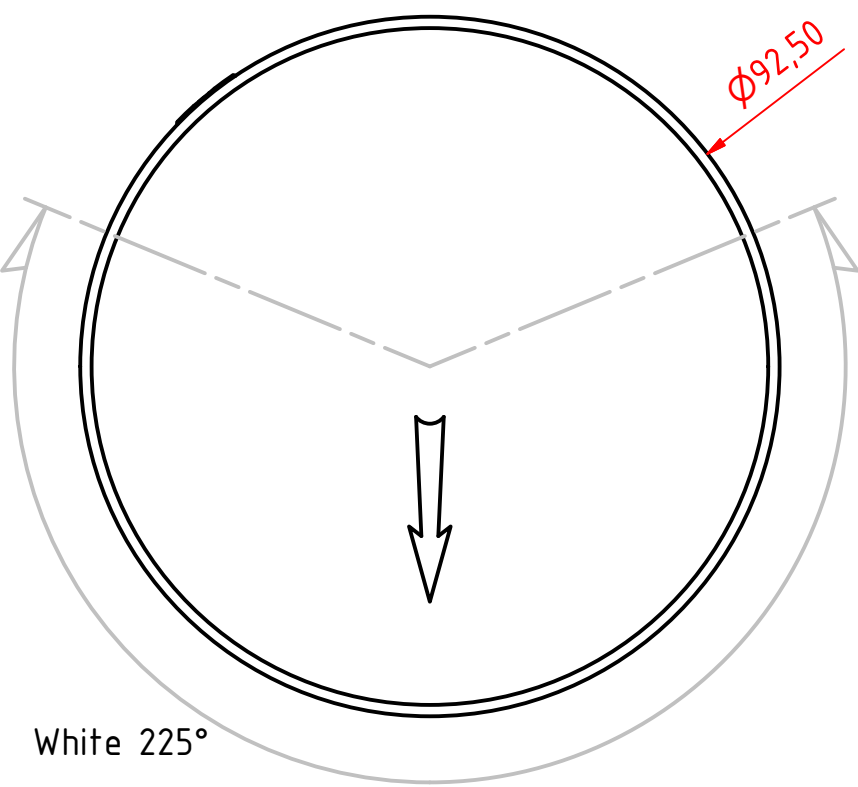
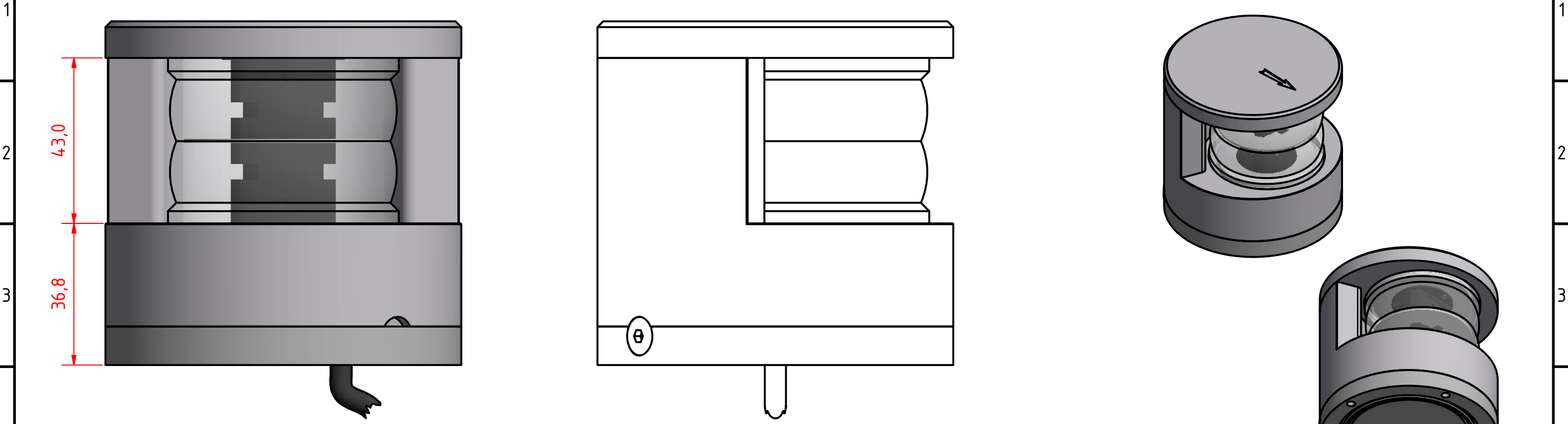


Lopolight ApS
Ved Klaedebo 12
DK-2970, Hoersholm
Denmark
www.lopolight.com

Tel:(+45) 32 48 50 30 Fax:(+45) 32 48 50 32
info@lopolight.com



A B C D E F G H I J



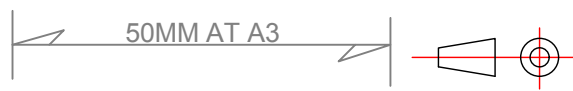
300-038, MastHead Light 5 nm Double Horizontal Mount on a low profile base

DRAWING NO.: 300-038GA	REV. NO.: 0	SIZE: A3	DRAWN BY: Sergio
SCALE: 1:1	TOLERANCES: DS/ISO 2768-f	REVIEWED BY:	CREATION DATE: 25-01-2017
MATERIAL DESCRIPTION: Alu EN 6082, Acrylic, PE (20µ) Silver anodized according to EN ISO 7599 (50µ) Black anodized according to MIL-A 8625F			
This Drawing, and the information within, is the property of Lopolight ApS and may not be used in any form without express permission there from. Lopolight reserves the right to change this drawing and assumes no liability for the information communicated herein. Use of dimensions and other information in this drawing is at the users own risk.			

LOPOLIGHT

Lopolight ApS www.lopolight.com
 Ved Klaedebo 12
 DK-2970, Hoersholm
 Denmark

Tel:(+45) 32 48 50 30 Fax:(+45) 32 48 50 32
 info@lopolight.com



A B C D E F G H I J

1
2
3
4
5
6
7
8

1
2
3
4
5
6
7
8